

Vibratory Dryer

Type: EVK



With rising ramp

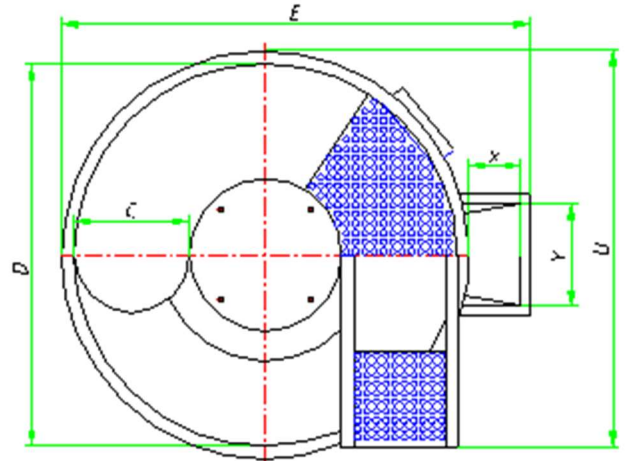
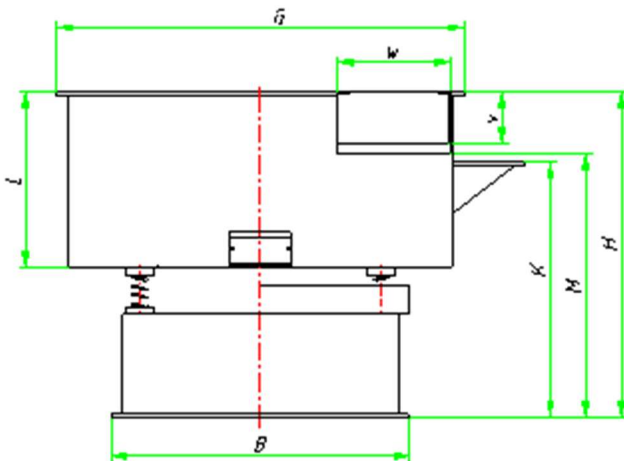
TRUMLINGSAKTIEBOLAGET

Åldermansvägen 1, 171 48 SOLNA

Tel: 08-446 60 10

trumlings@trumlings.se

www.trumlings.se



EVK

Circular vibratory dryer with rising ramp

Excellent discharge properties due to the rising ramp. The machine comes with a dust protection cover as standard, complete with connection for optional dust extraction.

Constructed with a sturdy steel frame, the container is welded and stress-relieved to ensure maximum lifespan.

The workbowl is lined with durable polyurethane coating. Superior power is guaranteed by a specially designed, extra powerful, fully enclosed vibratory motor with easily adjustable weights.

The control panel has an electronic heat control, and the machine can be equipped with speed control, which can be controlled from the control panel.

TYP	G mm	D mm	U mm	C mm	L mm	H mm	K mm	M mm	B mm	E mm	Y mm	X mm	V mm	W mm	MOTOR VÄRVTAL (rpm)	MOTOR EFFEKT kW	DRIV-SPÄNNING V / Hz	VÄRME ELEMENT kW	MATERIAL DIMENSION mm	TORK MEDEL. kg	MAX. DETALJER kg	VOLYM l.	MASKINVIKT Kg
EVK-100	942	856	1040	250	380	890	730	730	760	1090	300	175	105	230	1500	1,1	400 / 50 (*)	2,4	5	20	45	100	305
EVK-200	1130	1040	1245	31	450	970	770	780	885	1290	350	200	130	290	1500	1,5	400 / 50 (*)	2,4	5	40	60	200	430
EVK-350	1330	1240	1415	380	535	1110	895	905	1060	1510	400	220	140	355	1500	3	400 / 50 (*)	3,6	6	60	90	350	650
EVK-500	1546	1440	1623	426	625	1200	960	950	1220	1735	500	240	190	400	1500	4	400 / 50 (*)	4,5	6	100	150	500	1100
EVK-800	1748	1640	1820	485	630	1200	960	920	1365	1960	600	260	215	460	1500	5,5	400 / 50 (*)	6	8	150	200	800	1370
EVK-1200	1966	1850	2085	555	800	1600	1315	1245	1570	2280	700	360	245	515	1500	7,5	400 / 50 (*)	6	8				

TRUMLINGSAKTIEBOLAGET